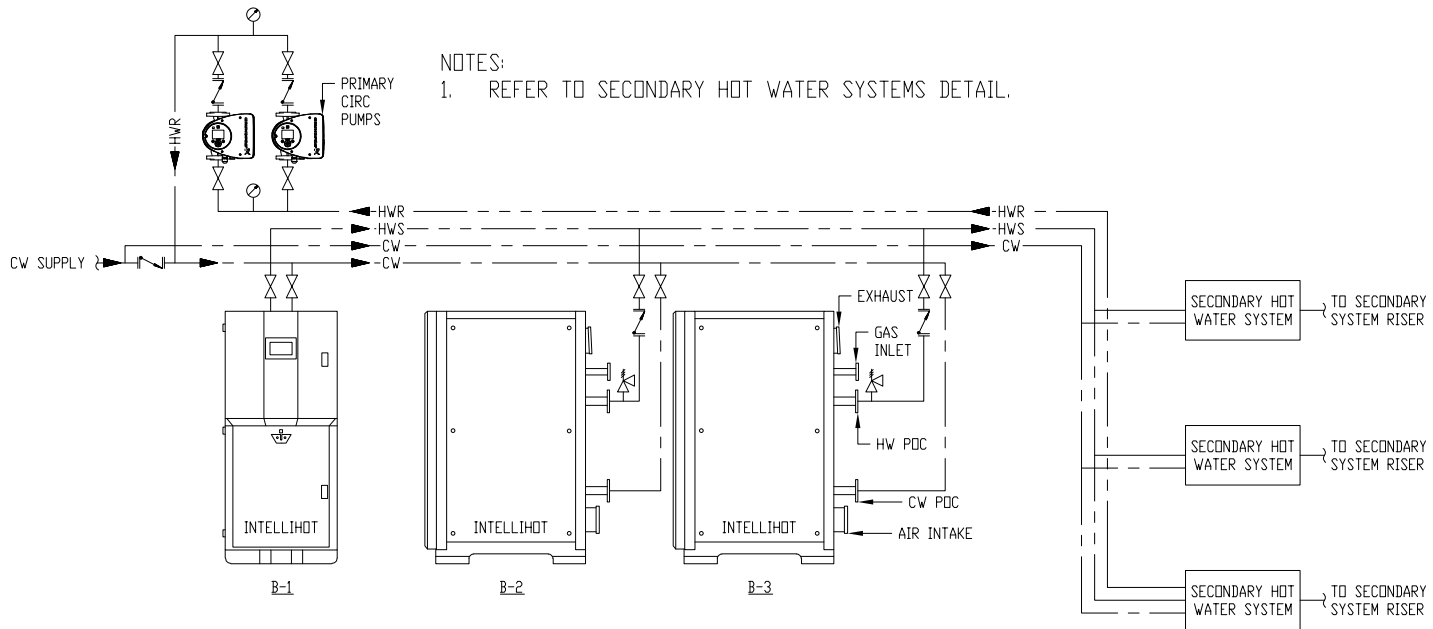


C:\Users\brisan\OneDrive\Documents\04\_Cougar\_Work\PE-002 - Primary Hot Water Detail\Primary Hot Water System Detail - Rev. 01.dwg - Tuesday, July 06, 2021 - 2:44 PM - Brian



NOTES:  
 1. REFER TO SECONDARY HOT WATER SYSTEMS DETAIL.

1 PRIMARY HOT WATER SYSTEM DETAIL  
 SCALE: NTS



Engineering Contact:  
 Michael Balboni  
 Direct: (713) 253-2320  
 Email: mbalboni@cougarusa.com

THIS DRAWING AND THE INFORMATION CONTAINED HEREIN IS THE EXCLUSIVE PROPERTY OF COUGAR SALES, INC. AND SHALL NOT BE REPRODUCED WITHOUT WRITTEN PERMISSION. THIS DATA IS BEING PROVIDED FOR USE ON SUBJECT PROJECT AND SHALL BE RETURNED IMMEDIATELY UPON REQUEST.

PRIMARY HOT WATER SYSTEM DETAIL

Sheet No.

P-1

ISSUE FOR INFORMATION